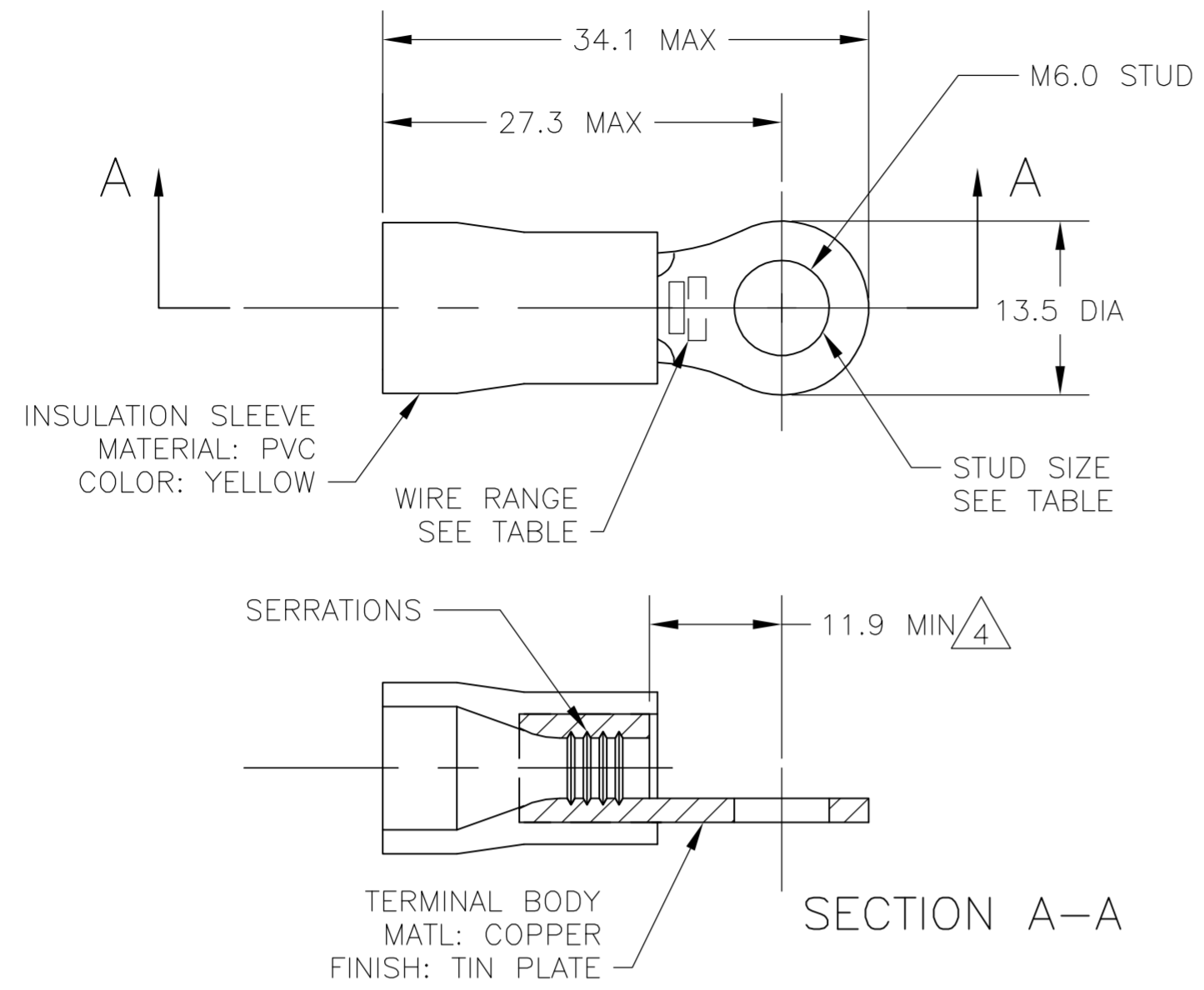


THIS DRAWING IS UNPUBLISHED. RELEASED FOR PUBLICATION
 © COPYRIGHT BY TYCO ELECTRONICS CORPORATION. ALL RIGHTS RESERVED.

LOC	DIST	REVISIONS			
P	LTR	DESCRIPTION	DATE	DWN	APVD
G	02	R1	REV PER ECR-06-001930	13FEB06	HMR TM



- 1 WIRE SIZE IS 12-10 AWG
- 2 WIRE INSULATION DIA: 3.8-6.4
- 3 MATERIAL THICKNESS IS 1.0
- 4 DIMENSION APPLIES FROM EDGE OF METAL WIRE BARREL TO END OF PIN.
- 5 SUPERSEDED BY 342185-1

POLY BAG WITH HEADER	STANDARD	50	5	7-342185-1
PLASTIC BOX	STANDARD	50	5	6-342185-1
TAPED MOUNTED	STANDARD	2500		2-342185-1
PLASTIC BAG	STANDARD	500		342185-1
PACKAGING	LABELLING	QTY		PART NO

DIMENSIONS: INCHES		TOLERANCES UNLESS OTHERWISE SPECIFIED:		DWN		CHK		APVD		NAME		SIZE	CAGE CODE	DRAWING NO	RESTRICTED TO
0 PLC ± -		1 PLC ± 0.5		jr ruth		T MICHIELUTTI		T MICHIELUTTI		Tyco Electronics Corporation		A2	00779	C=342185	-
2 PLC ± -		3 PLC ± -		02DEC05		02DEC05		02DEC05		Harrisburg, PA 17105-3608					
4 PLC ± -		ANGLES ± 1°		PRODUCT SPEC		APPLICATION SPEC		WEIGHT		CUSTOMER DRAWING		SCALE	SHEET	REV	
												5:1	1 of 1	R1	